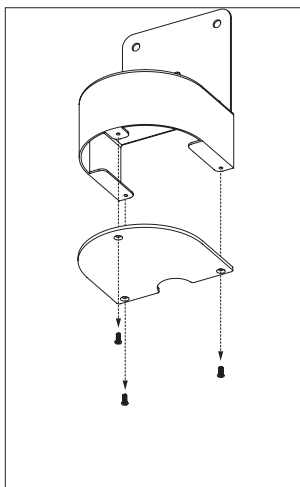
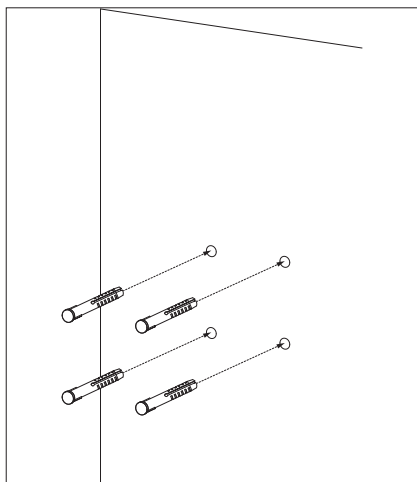


Installation Instructions-Wall Mount

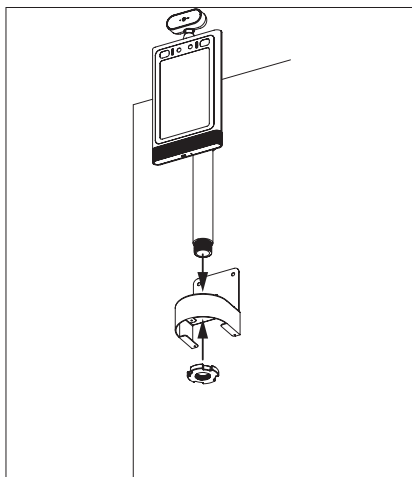
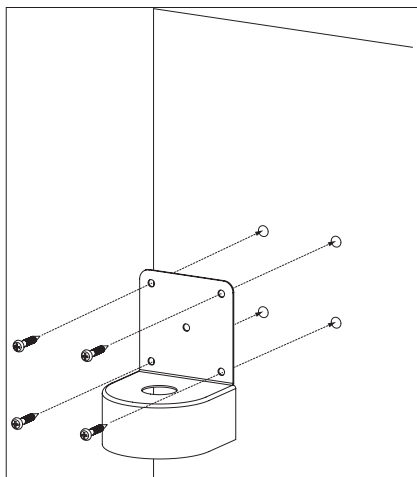
Step 1. Apply expansion screws (x4) to the wall.

Step 2. Release M3 screws (x3) from the bottom of the wall bracket and take out the bottom piece. Put aside to use later.



Step 3. Use the self-tapping screws (x4) to tighten the wall bracket to the pre-installed expansion screws in Step 5.

Step 4. Install the thermometer to the pre-installed wall bracket by tightening the big nut.



Installation Instructions-Wall Mount

Step 5. Reinstall the M3 screws (x3) that were removed in Step 6 to the bottom bracket piece.

