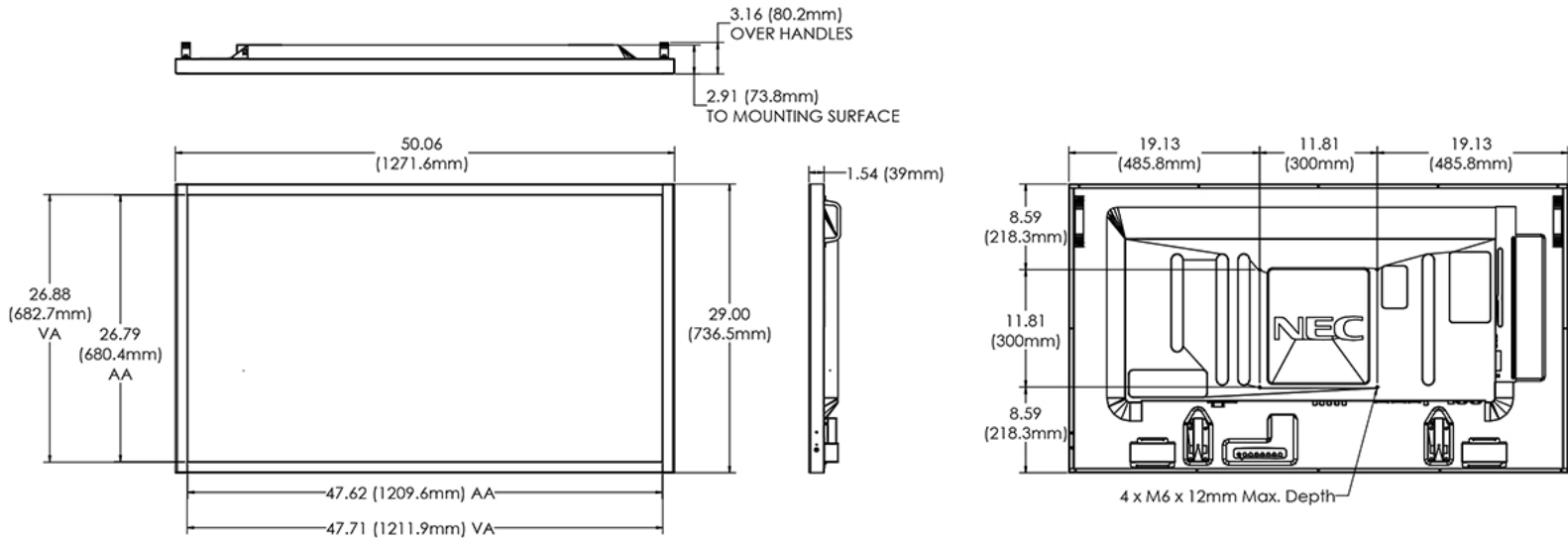


55 MODEL S55R-6 55" Multi-Touch Monitor



DISPLAY DETAILS

PANEL / SIZE	NEC V552 - 55" TFT
ACTIVE AREA	1209.6 MM X 680.79 MM
BACKLIGHT	LED EDGE-LIT
ASPECT RATIO	16:9
NATIVE RESOLUTION	1920 X 1080 FULL HD
DISPLAY COLORS	MORE THAN 16.7 MILLION
PIXEL PITCH BRIGHTNESS	0.63MM
CONTRAST RATIO	4000:1 (TYPICAL)
HOR. VIEWING ANGLE	178° (TYPICAL)
VERT. VIEWING ANGLE	178° (TYPICAL)
TOUCH RESPONSE TIME	5 MS - 10 MS

TOUCH DETAILS

TOUCH TECHNOLOGY	INFRARED (IR) MULTI-TOUCH
MULTI-TOUCH INPUT	6 POINTS
INPUT METHOD	FINGER, GLOVE, PEN
TOUCH INTERFACE	USB-TYPE A
MULTI-TOUCH OS SUPPORT	WINDOWS 7/8.1/10, MAC OS X, AND ANDROID
SINGLE-TOUCH OS SUPPORT	ALL WINDOWS AND LINUX



PRODUCT DETAILS

POWER SUPPLY	100 - 240V AC
POWER CONSUMPTION	OPERATING: 100W STANDBY: <2W
VIDEO INPUT	DISPLAYPORT, HDMI, DVI-D, VGA
AUDIO INPUT	STEREO MINI-JACK, HDMI, DISPLAYPORT AUDIO
MOUNTING OPTIONS	VESA MOUNT
VESA PATTERN	300 X 300 MM (4-HOLE)
OPERATING CONDITIONS	TEMP: 41-104°F / 5-40°C, HUMIDITY: 20-80%
AGENCY APPROVALS	FCC CLASS B, C-UL
WARRANTY	3 YEARS, PARTS AND LABOR, INCL. BACKLIGHT

DIMENSIONS

DISPLAY (WXHXD)	1271.6 MM X 736.5 MM X 80.2 MM
DISPLAY WEIGHT	92.5 LBS.